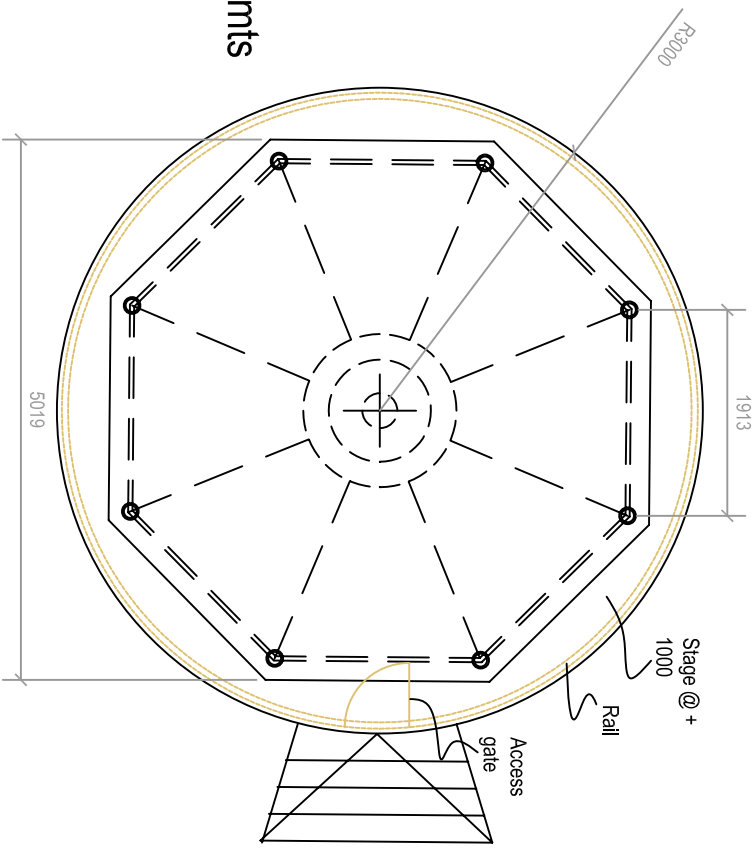
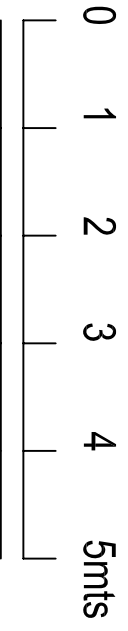


**BAND STAND -
CENTRAL
PERFORMANCE STAGE
(dining area).**



This drawing dated 21.3.07.